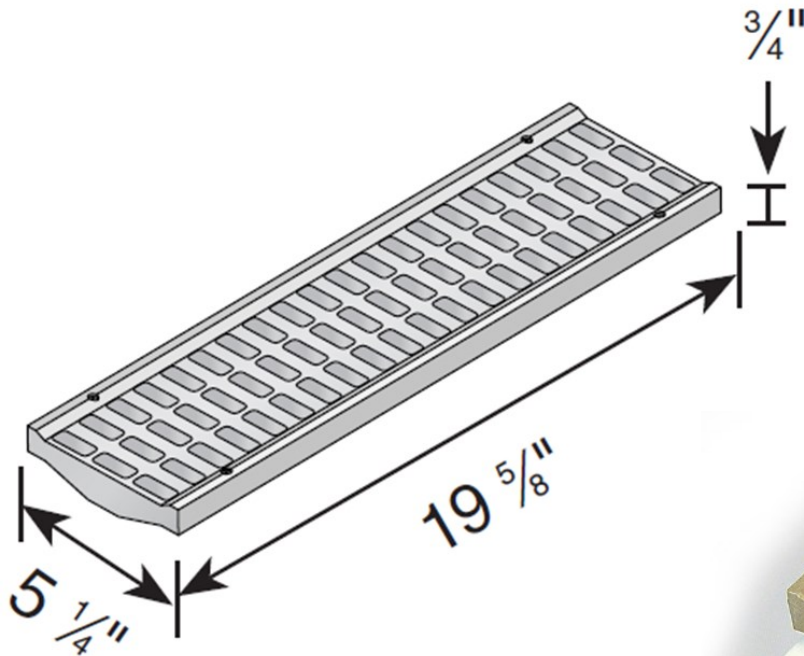


## 5 Inch Pro Series Grates



Part #: 814,815,816,817,818,819  
 Material: HDPE ( High Density Polyethylene)  
 Color: #814(Light Gray), #815(Green), #816( Black), #817  
 ( Sand) #818 (Brick red) #819 ( White)  
 Fits: 5" Pro Series Channel, Part# 820 ( takes 1 grate) and  
 Part# 800 ( takes 2 grates)  
 Grate Opening: 1/2" x 1-1/4"  
 Open Surface Area: 23.52 Sq. Inch per Ft.  
 Head Pressure / Flow Rate:  
Head (inches) - Max Flow  
 1" = 101.75 GPM  
 0.5" = 71.95 GPM  
 Screw: #829 Stainless Steel Screw, 4 per grate.  
 Weight per each: 1.16 lbs.  
 UV Inhibitors



### **Class B**

- Loads of 61-175 psi.
- Recommended for medium-duty pneumatic tire traffic, autos and light trucks at speeds less than 20 m.p.h.

## ADA Compliant

Supplied By:

**TRENCHDRAIN  
SUPPLY**

877-903-7246

www.trenchdrainsupply.com